

Product data sheet

SECTION 40

Basic dimensions

220*110mm

Primary technical specs

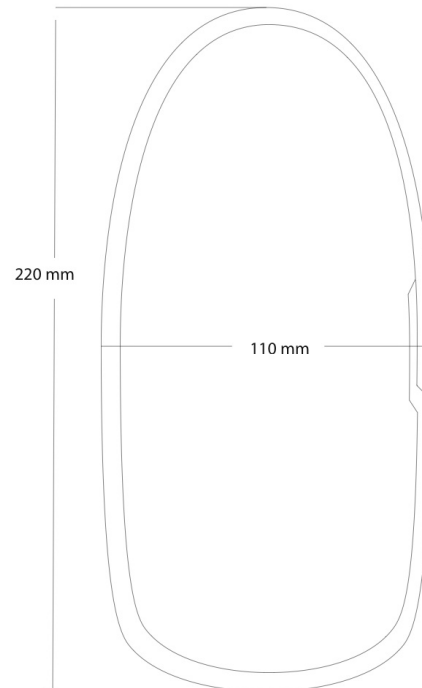
Elyy 887kNm² Elxx 293kNm²

Basic unit weight

3,7kg

Product description

carbon fibre mast section
variable wall-thickness laminate
carbon fibre masttop
fittings available in stainless steel (standard)



options

different rail configurations to suit Harken or Ronstan track profiles.
Ronstan bolt-rope profile as standard advice.
Tapered mast top (max. 2,50mtr)

Standard unit Retail price per unit (excl. tax)
mtr Please enquire

Record last updated

24 juli 2009

