

Product data sheet

84x63mm Boom Profile

Basic dimensions

84x63mm

Primary technical specs

I_{xx} 38 cm⁴ I_{yy} 24cm⁴

Basic unit weight

0,93 kg per metre

Product description

Carbon/glass epoxy boom profile

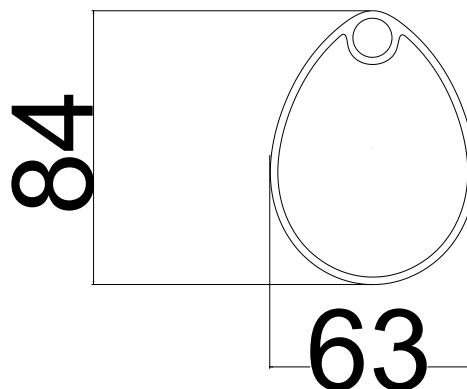
Local reinforcements to suit all fittings.

Carbon grade T-700

Maximum mechanical properties

Tensile Strength 4900 MPa

Tensile Modulus 230 GPa



options

Standard unit

Retail price per unit (excl. tax)

Please enquire

Record last updated

06 oktober 2020